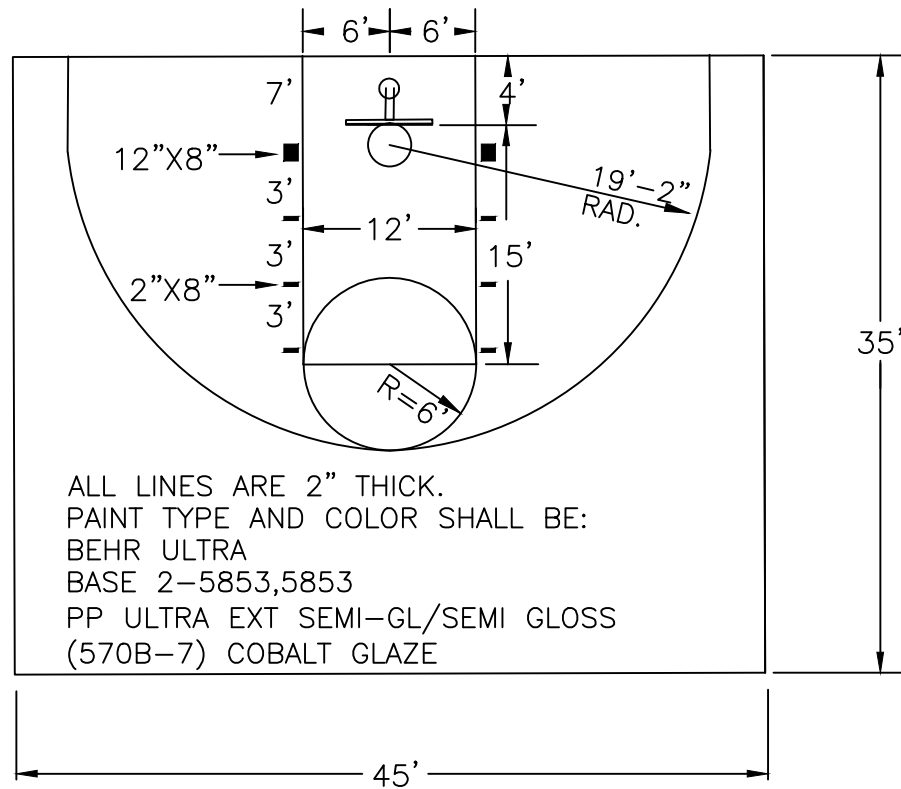


*CLASS 3000 CONCRETE WITH TYPE III FIBER REINFORCEMENT, PER REQUIREMENTS OF ASTM C116. MIX DESIGN TO BE APPROVED BY CITY ENGINEER PRIOR TO PLACEMENT.



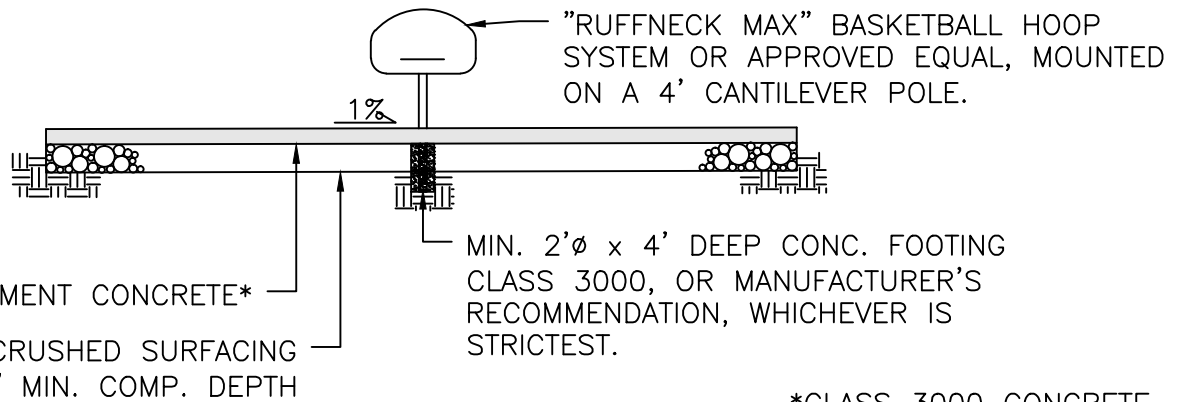
MAY 5, 2015

DWG #

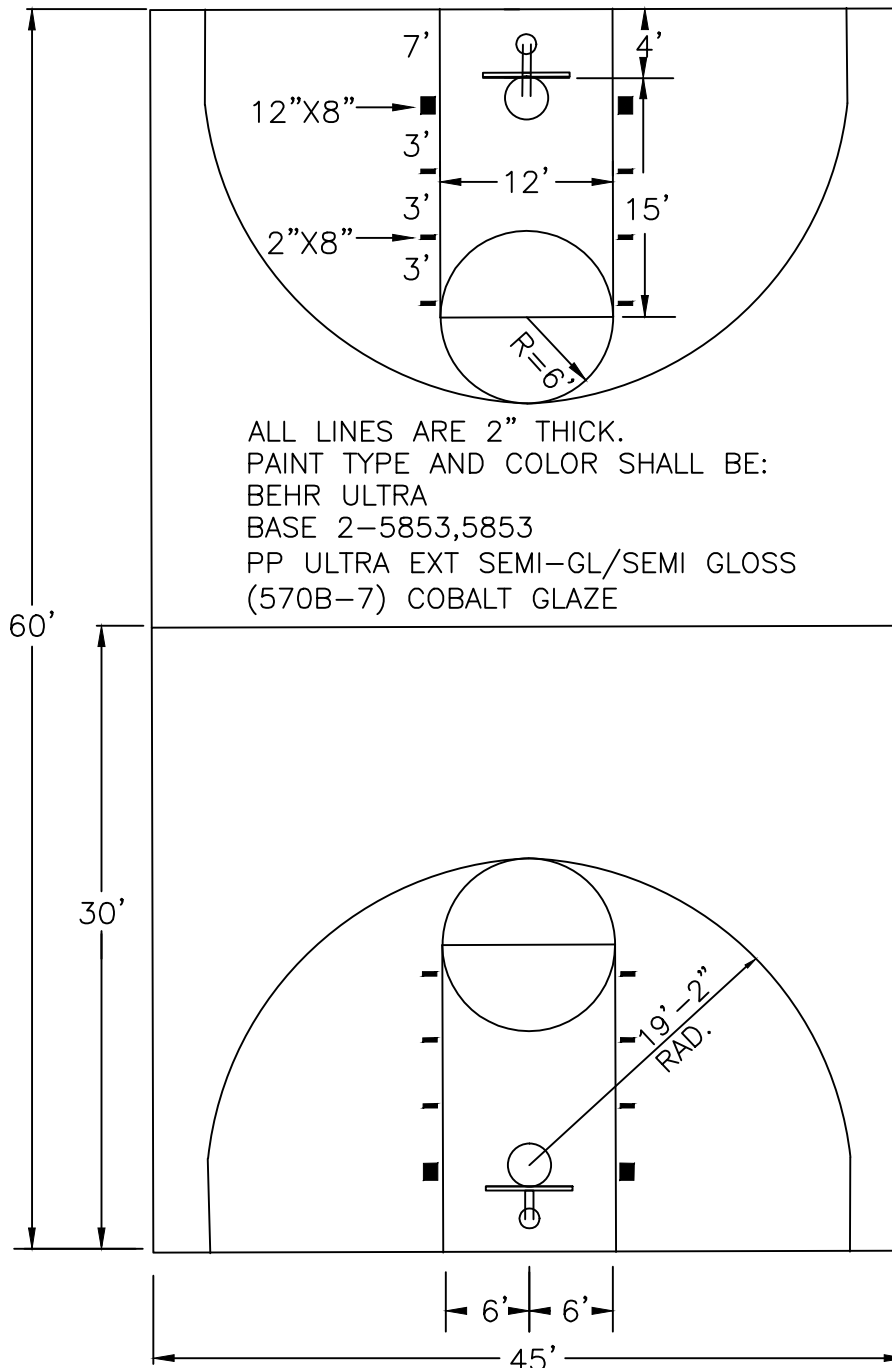


HALF COURT BASKETBALL

10-1



*CLASS 3000 CONCRETE WITH TYPE III FIBER REINFORCEMENT, PER REQUIREMENTS OF ASTM C116. MIX DESIGN TO BE APPROVED BY CITY ENGINEER PRIOR TO PLACEMENT.



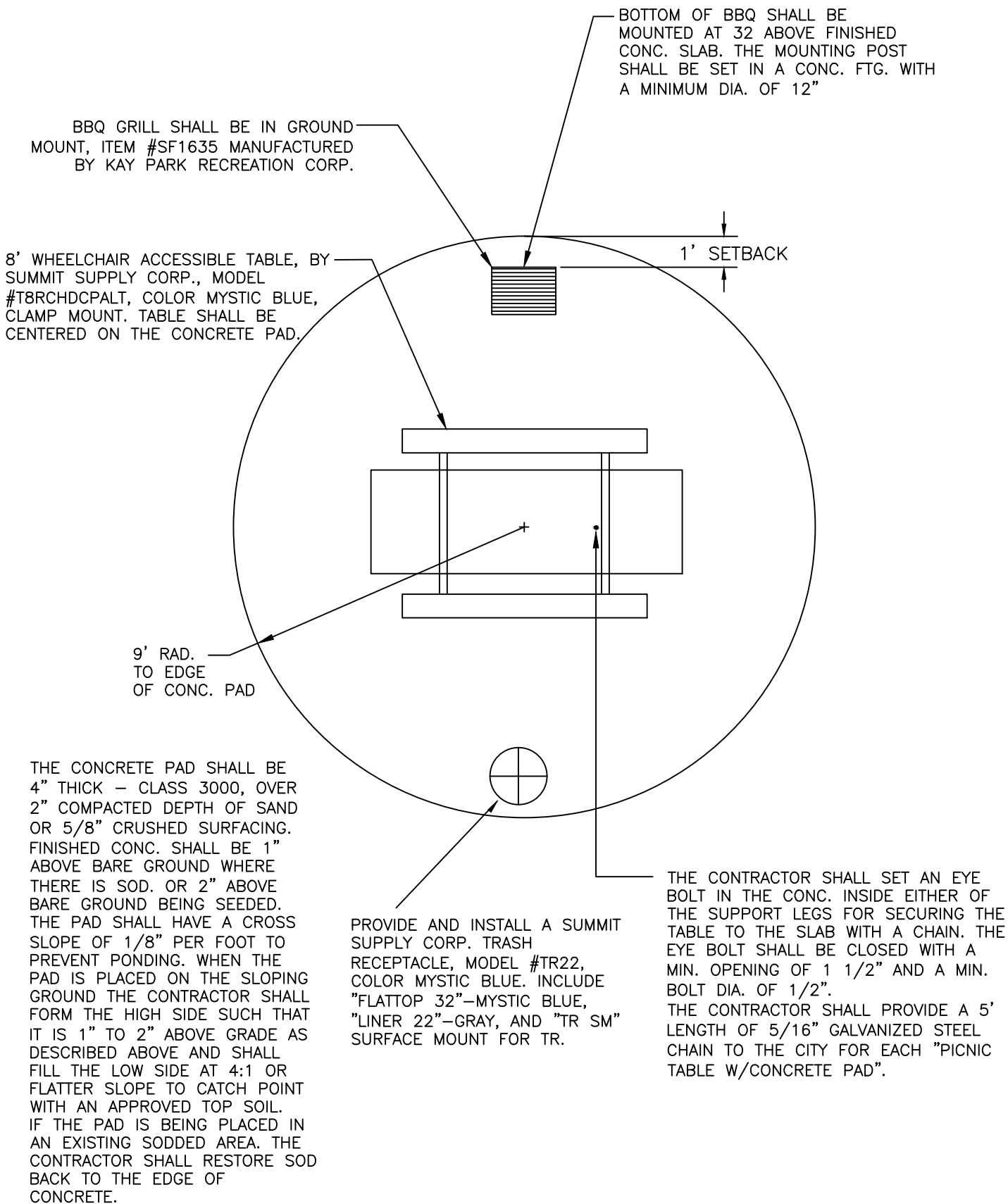
MAY 5, 2015

DWG #

10-2



FULL COURT BASKETBALL



SEPTEMBER 2, 2015

DWG #

10-3

PICNIC TABLE W/
CONCRETE PAD



BBQ GRILL SHALL BE IN GROUND MOUNT, ITEM #SF1635 MANUFACTURED BY KAY PARK RECREATION CORP.

8' WHEELCHAIR ACCESSIBLE TABLE, BY SUMMIT SUPPLY CORP., MODEL #T8RCHDCPALT, COLOR MYSTIC BLUE, CLAMP MOUNT. TABLE SHALL BE CENTERED ON THE CONCRETE PAD.

BOTTOM OF BBQ SHALL BE MOUNTED AT 32" ABOVE FINISHED CONC. SLAB. THE MOUNTING POST SHALL BE SET IN A CONC. FTG. WITH A MINIMUM DIA. OF 12"

1' SETBACK

9' RAD. TO EDGE OF CONC. PAD

APPROACH WALKWAY

8'

THE CONTRACTOR SHALL SET AN EYE BOLT IN THE CONC. INSIDE EITHER OF THE SUPPORT LEGS FOR SECURING THE TABLE TO THE SLAB WITH A CHAIN. THE EYE BOLT SHALL BE CLOSED WITH A MIN. OPENING OF 1 1/2" AND A MIN. BOLT DIA. OF 1/2".

THE CONTRACTOR SHALL PROVIDE A 5' LENGTH OF 5/16" GALVANIZED STEEL CHAIN TO THE CITY FOR EACH "PICNIC TABLE W/CONCRETE PAD".

PROVIDE AND INSTALL A SUMMIT SUPPLY CORP. TRASH RECEPTACLE, MODEL #TR22, COLOR MYSTIC BLUE. INCLUDE "FLATTOP 32"-MYSTIC BLUE, "LINER 22"-GRAY, AND "TR SM" SURFACE MOUNT FOR TR.

** NOTE: DISTANCE VARIES AS STAKED BY THE ENGINEER AND AS SHOWN ON THE PLANS

THE CONCRETE PAD SHALL BE 4" THICK - CLASS 3000, OVER 2" COMPACTED DEPTH OF SAND OR 5/8" CRUSHED SURFACING. FINISHED CONC. SHALL BE 1" ABOVE BARE GROUND WHERE THERE IS SOD. OR 2" ABOVE BARE GROUND BEING SEEDING. THE PAD SHALL HAVE A CROSS SLOPE OF 1/8" PER FOOT TO PREVENT PONDING. WHEN THE PAD IS PLACED ON THE SLOPING GROUND THE CONTRACTOR SHALL FORM THE HIGH SIDE SUCH THAT IT IS THE 1" TO 2" ABOVE GRADE AS DESCRIBED ABOVE AND SHALL FILL THE LOW SIDE AT 4:1 OR FLATTER SLOPE TO CATCH POINT WITH AN APPROVED TOP SOIL. IF THE PAD IS BEING PLACED IN AN EXISTING SODDED AREA. THE CONTRACTOR SHALL RESTORE SOD BACK TO THE EDGE OF CONCRETE.

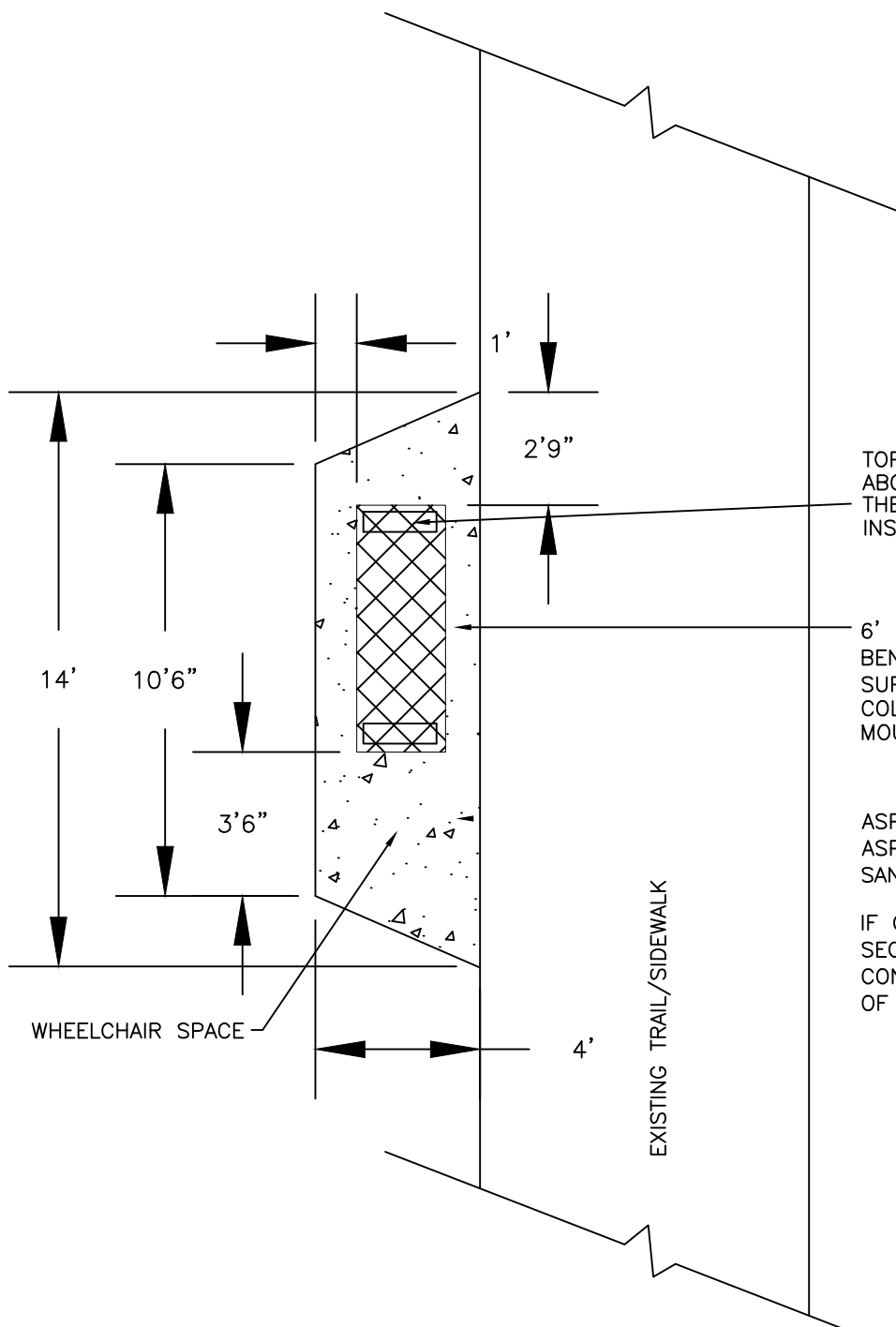
MAY 5, 2015

DWG #



PICNIC TABLE W/ CONCRETE PAD AND APPROACH

10-4



TOP FRONT OF BENCH SHALL BE 17" ABOVE THE FINISHED ASPHALT PAD. THE IN GROUND MOUNT SHALL BE INSTALLED PRIOR TO PLACING ASPHALT.

6' PVC COATED STATIONARY BENCH W/ BACK BY SUMMIT SUPPLY CORP., MODEL #B6WBRCS, COLOR MYSTIC BLUE, IN GROUND MOUNT.

ASPHALT PAD SECTION SHALL BE 3" OF ASPHALT OVER 2" COMPACTED DEPTH OF SAND OR 5/8" CRUSHED SURFACING.

IF CEMENT CONCRETE IS USED, THE SECTION SHALL BE 4" OF CLASS 5 CONCRETE OVER 2" COMPACTED DEPTH OF SAND OR 5/8" CRUSHED SURFACING.

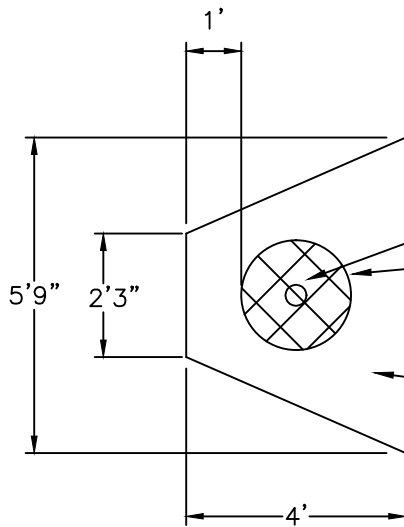
SEPTEMBER 2, 2015

DWG #



TRAIL / SIDEWALK WIDENING FOR BENCH INSTALLATION

10-5



EXISTING TRAIL / SIDEWALK

BOTTOM OF RECEPTACLE SHALL BE 4" ABOVE THE FINISHED SURFACING
RECEPTACLE MOUNTING POST SHALL BE SET IN A 12" MINIMUM DIA. CONCRETE FOOTING AND THE TOP OF FTG. SHALL SET FLUSH WITH FIN. SURFACING

PROVIDE AND INSTALL A SUMMIT SUPPLY CORP. TRASH RECEPTACLE, MODEL #TR22, COLOR MYSTIC BLUE. INCLUDE "FLATTOP 32"-MYSTIC BLUE, "LINER 22"-GRAY, AND "TR SM" SURFACE MOUNT FOR TR.

SURFACING UNDER THE RECEPTACLE SHALL MATCH THAT OF THE ADJACENT TRAIL / SIDEWALK.

*** IF CONCRETE SURFACING IS USED, THE SECTION SHALL BE 4" OF CLASS 5 CONC. OVER 2" COMPACTED DEPTH OF SAND OR 5/8" CRUSHED SURFACING.

*** IF ACP SURFACING IS USED, THE SECTION SHALL BE 1 1/2" COMPACTED DEPTH OF ACP CLASS G OVER 2" COMPACTED DEPTH OF 5/8" CRUSHED SURFACING.

MAY 5, 2015



TRAIL / SIDEWALK WIDENING FOR TRASH RECEPTACLE

DWG #

10-6